

PSR-SPP- 24DC/FSP/1X1/1X2

Order No.: 2981981


The figure shows a version with a screw connection



<http://eshop.phoenixcontact.de/phoenix/treeViewClick.do?UID=2981981>

Safe coupling relay for SIL3 high and low demand applications, couples digital output signals to the I/O, 2 enabling current paths, 1 alarm contact, module for safe state off applications, test pulse filter, fuse, plug-in terminal blocks, width: 17.5 mm



Commercial data	
GTIN (EAN)	
sales group	G501
Pack	1 pcs.
Customs tariff	85364900
Catalog page information	Page 23 (IF-2009)

Product notes

WEEE/RoHS-compliant since:
03/25/2009



<http://www.download.phoenixcontact.com>
Please note that the data given here has been taken from the online catalog. For comprehensive information and data, please refer to the user documentation. The General Terms and Conditions of Use apply to Internet downloads.

Technical data

Input data

Nominal input voltage U_N	24 V DC
Input voltage range in reference to U_N	0.85 ... 1.1
Typical input current at U_N	55 mA

Typical inrush current	100 mA
Typical response time	50 ms
Typical release time	50 ms
Recovery time	1 s

Output data

Contact type	1 enabling current path undelayed, 1 confirmation current path undelayed
Contact material	AgCuNi, + 0.2 µm Au
Maximum switching voltage	250 V AC/DC
Limiting continuous current	5 A (N/O contact, pay attention to the derating) 100 mA (N/C contact)
Maximum inrush current	5 A
Inrush current, minimum	5 mA
Sq. Total current	25 A ² (observe derating)
Interrupting rating (ohmic load) max.	120 W (24 V DC, τ = 0 ms, N/C contact: 2.4 W) 144 W (48 V DC, τ = 0 ms, N/C contact: 4.8 W) 66 W (110 V DC, τ = 0 ms, N/C contact: 11 W) 60 W (220 V DC, τ = 0 ms, N/C contact: 22 W) 1250 VA (250 V AC, τ = 0 ms, N/C contact: 25 VA)
Maximum interrupting rating (inductive load)	72 W (24 V DC, τ = 40 ms, N/C contact: 2.4 W) 36 W (48 V DC, τ = 40 ms, N/C contact: 4.8 W) 36 W (110 V DC, τ = 40 ms, N/C contact: 11 W) 48 W (220 V DC, τ = 40 ms, N/C contact: 22 W)
Switching capacity min.	75 mW
Output fuse	5 A T fuse

General data

Width	17.5 mm
Height	112 mm
Depth	114.5 mm
Ambient temperature (operation)	-20 °C ... 55 °C
Ambient temperature (storage/transport)	-40 °C ... 70 °C
Relay type	Electromechanically forcibly guided, dust-proof relay.
Mechanical service life	Approx. 10 ⁷ cycles
Mounting position	Any
Assembly instructions	In rows with zero spacing

Category in acc. with EN 954-1	4
Stop category	0
Name	Air and creepage distances between the power circuits
Standards/regulations	DIN EN 50178
Rated surge voltage / insulation	6 kV / Safe isolation, increased insulation
Rated insulation voltage	250 V AC
Pollution degree	2
Surge voltage category	III

Connection data

Conductor cross section solid min.	0.2 mm ²
Conductor cross section solid max.	1.5 mm ²
Conductor cross section stranded min.	0.2 mm ²
Conductor cross section stranded max.	1.5 mm ²
Conductor cross section AWG/kcmil min.	24
Conductor cross section AWG/kcmil max	16
Stripping length	8 mm
Connection method	Spring-cage conn.

Certificates / Approvals

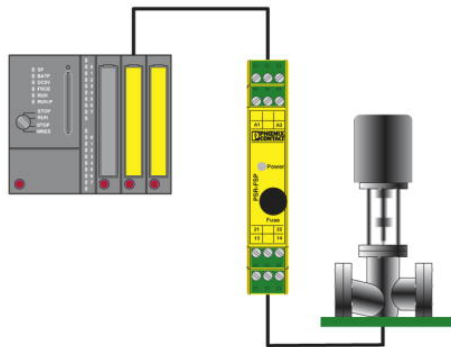


Certification

CUL Listed, TUEV-RH, UL Listed

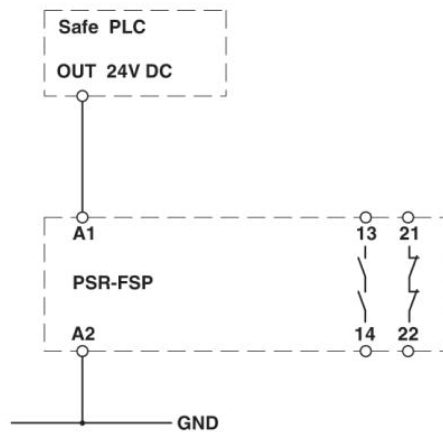
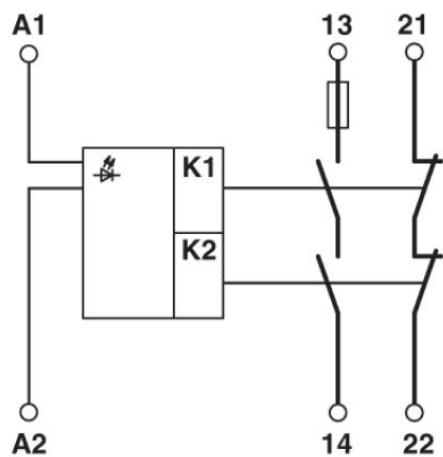
Diagrams/Drawings

Application drawing



Example of electrical isolation of a safety PLC output from the field.

Circuit diagram



Address

PHOENIX CONTACT Inc., USA
586 Fulling Mill Road
Middletown, PA 17057, USA
Phone (800) 888-7388
Fax (717) 944-1625
<http://www.phoenixcon.com>



© 2011 Phoenix Contact
Technical modifications reserved;